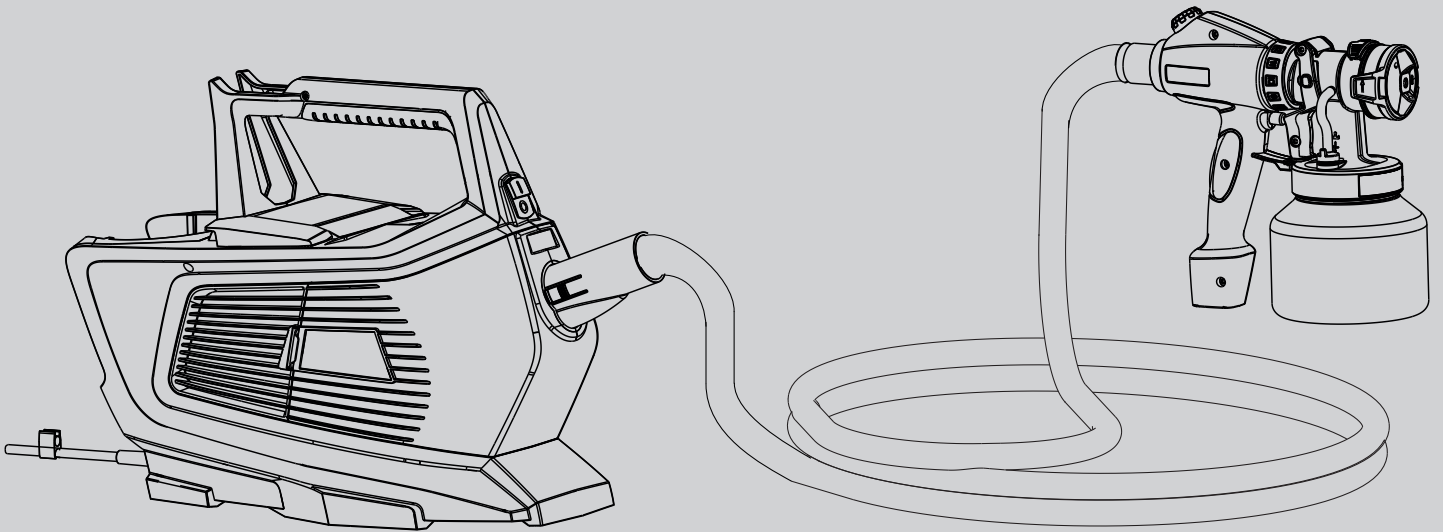


WAGNER

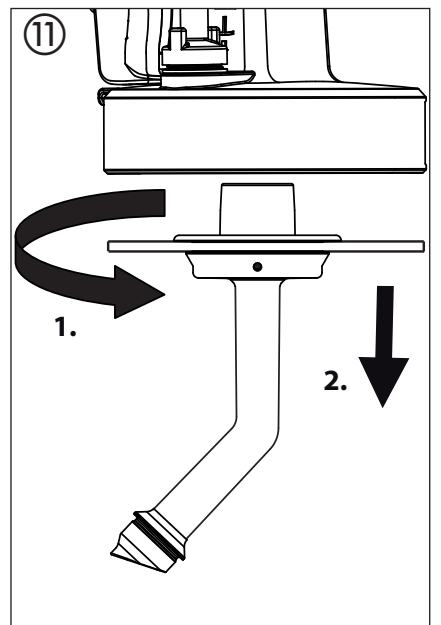
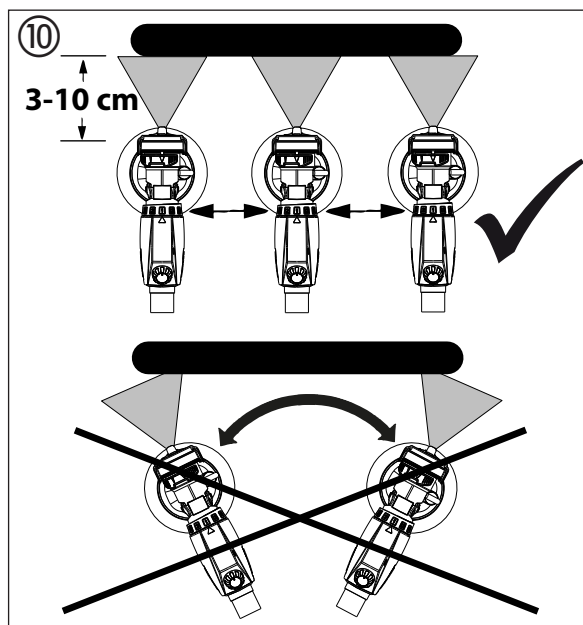
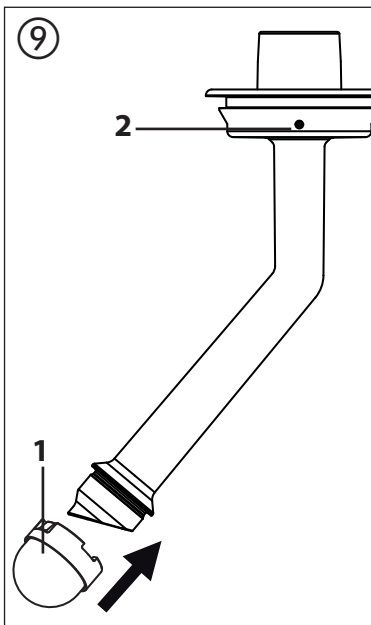
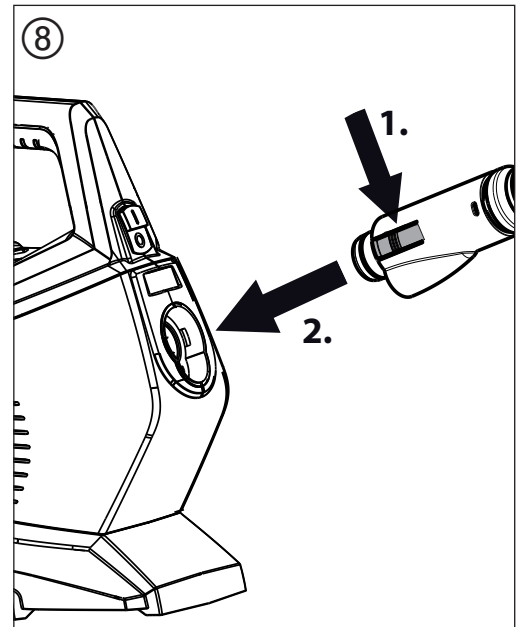
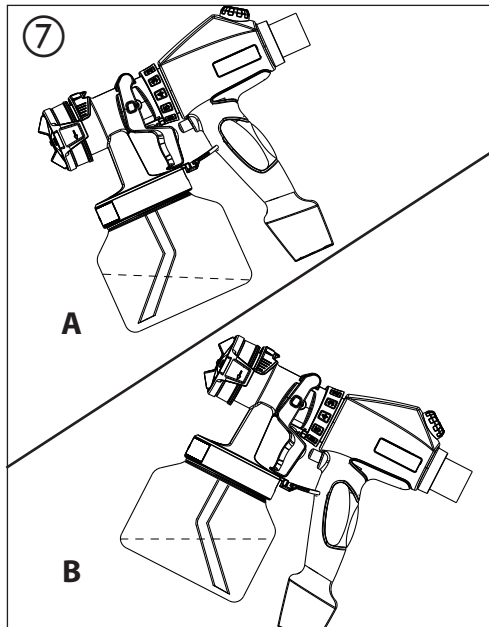
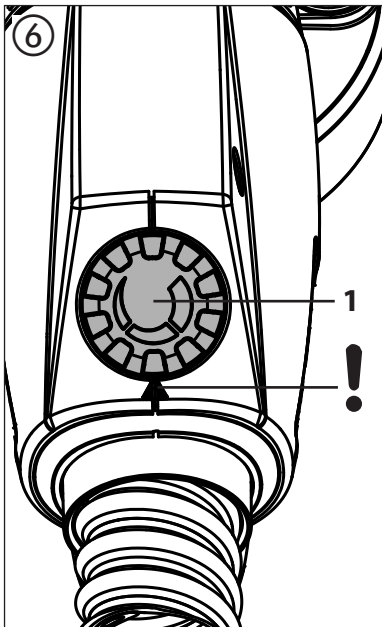
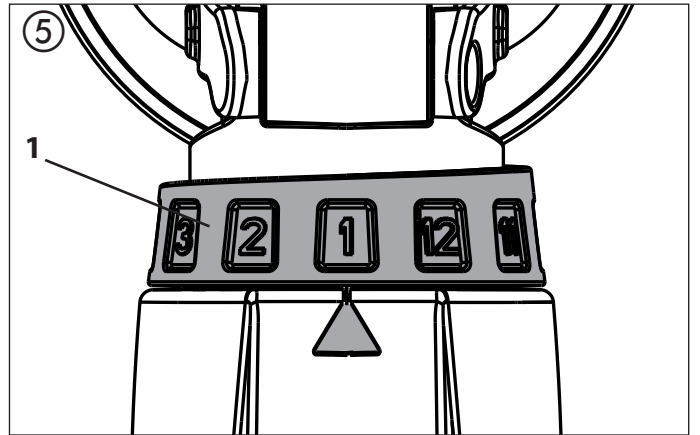
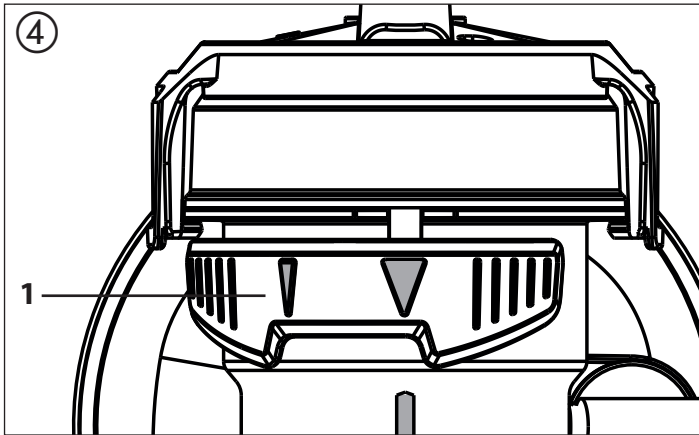


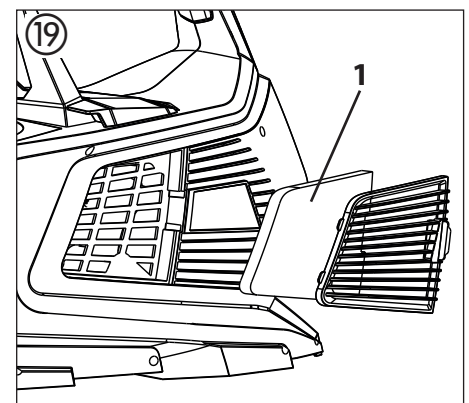
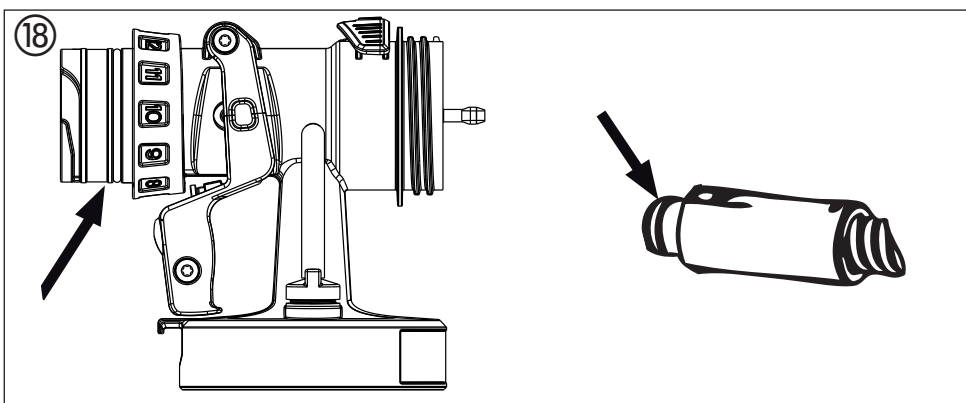
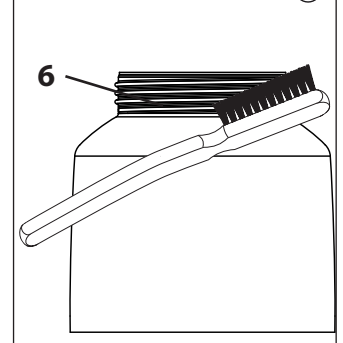
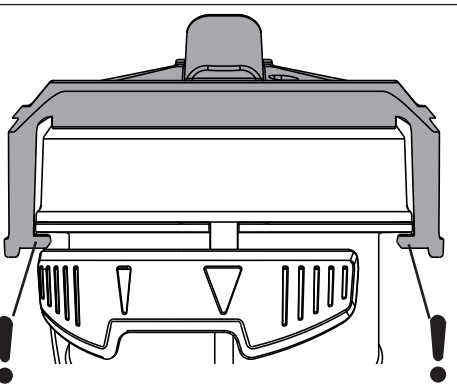
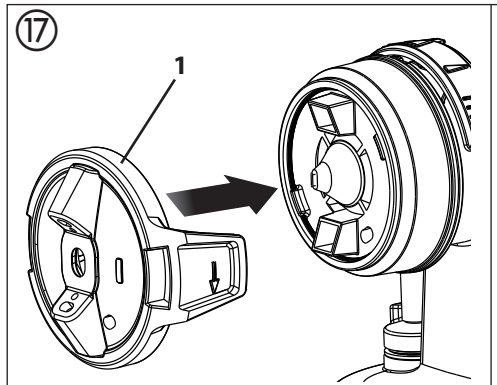
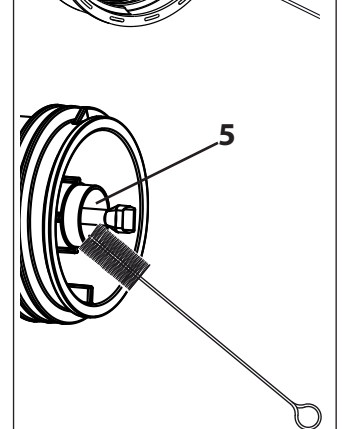
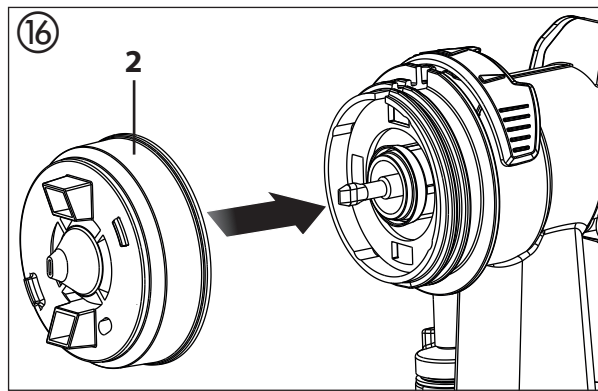
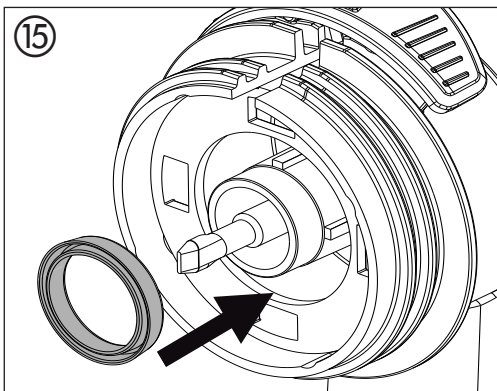
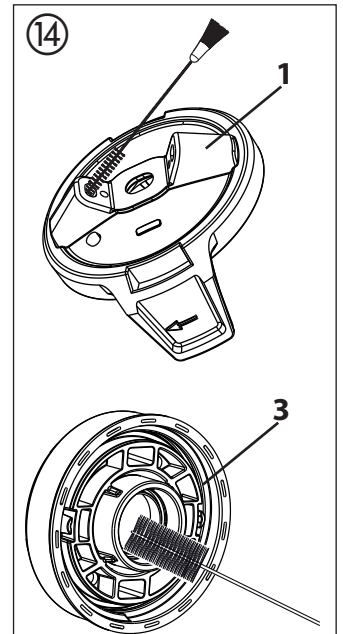
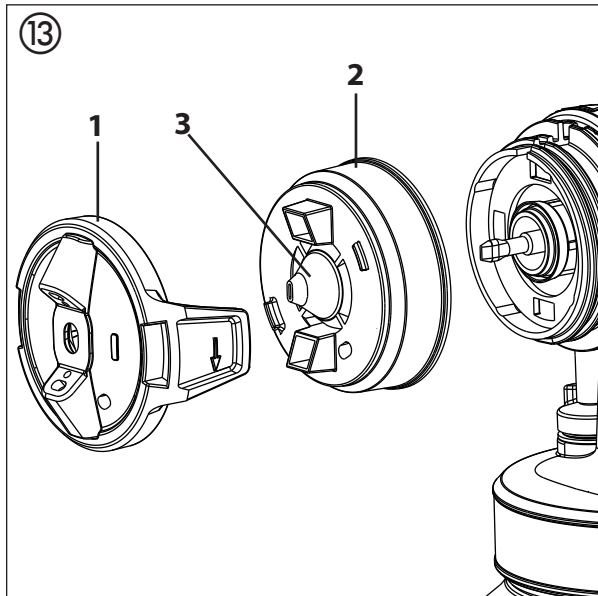
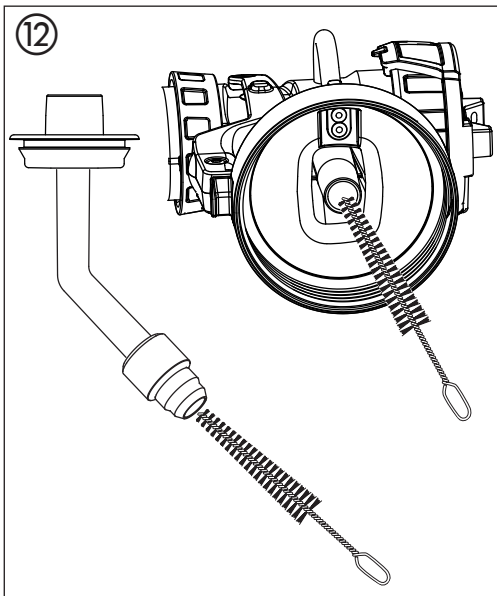
FINISH CONTROL 5500

OPERATING MANUAL

FinishControl 5500

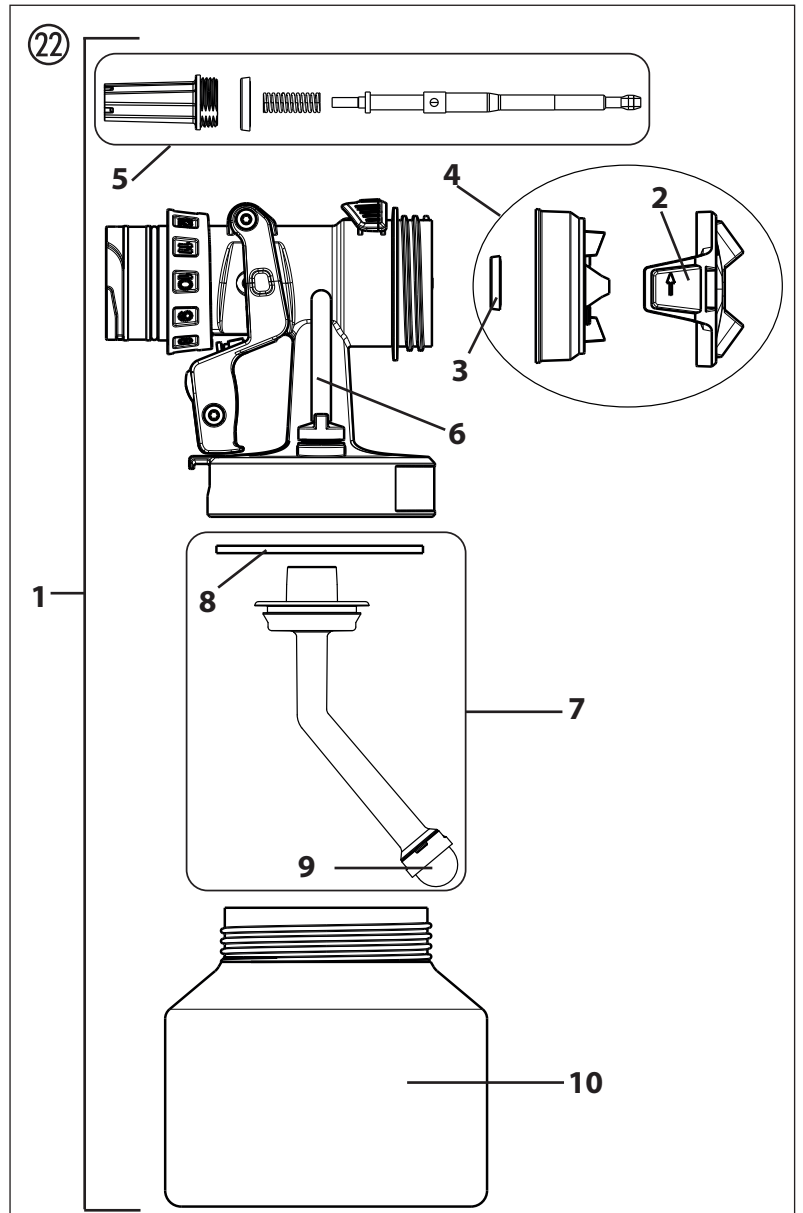
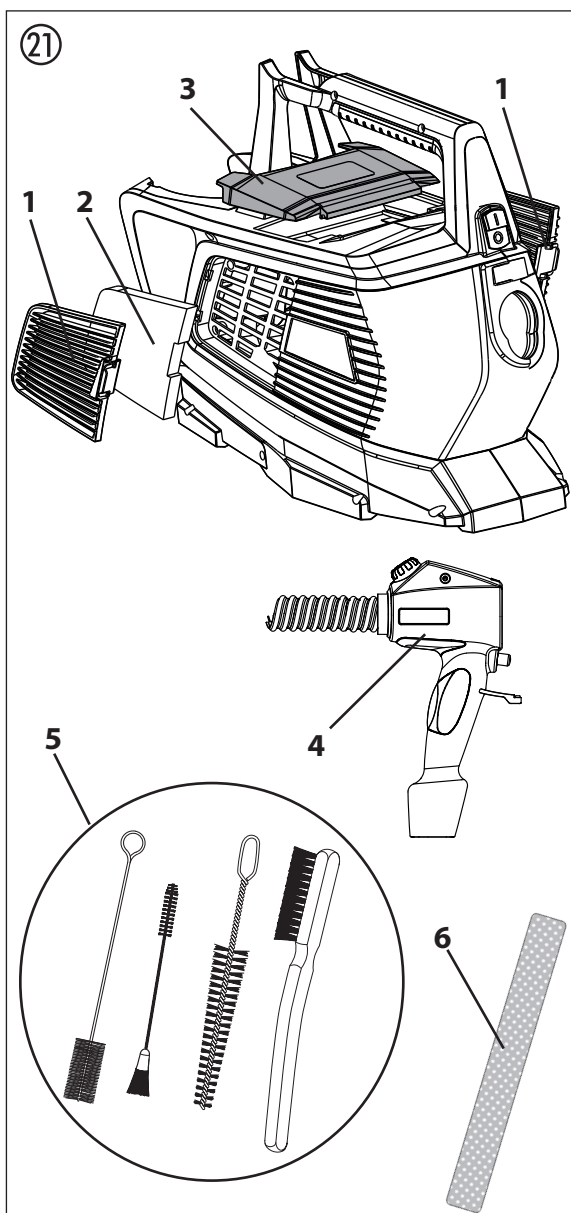
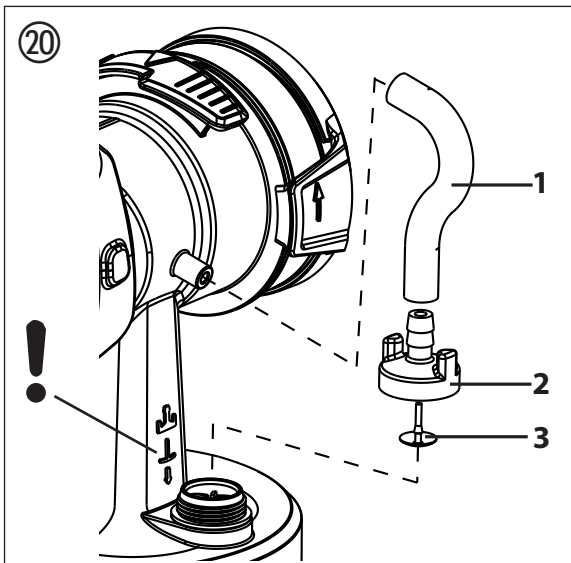
WAGNER





FinishControl 5500

WAGNER



Translation of the original operating instructions

Contents

1	SAFETY REGULATIONS	14
2	EXPLANATORY DIAGRAM	16
3	THE WAGNER CLICK&PAINT SYSTEM	16
3.1	Disassembly of the spray gun	16
4	TECHNICAL DATA	17
5	INTRODUCTION TO SPRAYING USING THE XVLP PROCEDURE	17
6	COATING MATERIAL	17
6.1	Coating Materials Suitable for Use	17
6.2	Coating Materials Not Suitable for Use	17
6.3	Coating materials that can only be processed with relevant spray attachment (accessories)	17
6.4	Preparing the coating material	17
7	SETTING THE SPRAY GUN	18
7.1	Setting the required spray pattern	18
7.2	Setting the amount of material	18
7.3	Setting the amount of air	18
7.4	Align the feed tube	18
8	STARTING OPERATION	18
9	SPRAYING TECHNIQUE	18
10	BREAKS IN WORK	19
11	TRANSPORTATION	19
12	TAKING OUT OF OPERATION AND CLEANING	19
12.1	Assembly	19
13	MAINTENANCE	19
13.1	Air filter	19
13.2	Air relief valve	20
14	CORRECTION OF MALFUNCTIONS	21
15	ACCESSORIES AND SPARE PARTS	22
15.1	Accessories	22
15.2	Spare parts FinishControl	22
15.3	Spare Parts StandardSpray spray attachment	22
	Testing of the unit	23
	Note on disposal	23
	Important information on product liability	23
	Guarantee declaration	23
	CE - declaration	23
	European service network	122

Explanation of symbols used

	This symbol indicates a potential danger for you or for the device. Under this symbol you can find important information on how to avoid injuries and damage to the device.
	Indicates tips for use and other particularly useful information.
	Wide spray jet setting
	Narrow spray jet setting

1 SAFETY REGULATIONS

All local safety regulations in force must be observed.

Read the operating instructions carefully and follow the instructions laid down in them in order to avoid risks.

1. Safety at the workplace

- a) **Keep your workplace clean and well lit.** *Disorder or unlit workplaces may result in accidents.*
- b) **Never use the tool in hazardous areas that contain flammable liquids, gases or dusts.** *Power tools generate sparks that can ignite the dust or vapors.*
- c) **Keep children and other persons away when using the power tool.** *You can lose control of the tool if you are distracted.*

2. Electrical Safety

- a) **The tool plug must fit into the socket. The plug may not be modified in any form. Do not use adaptor plugs together with protective-earthed tools.** *Unmodified plugs and suitable sockets reduce the risk of an electric shock.*
- b) **Avoid physical contact with earthed surfaces such as pipes, heating elements, stoves and refrigerators.** *The risk through electric shock increases if your body is earthed.*
- c) **Keep the equipment away from rain and moisture.** *The risk of an electric shock increases if water penetrates electrical equipment.*
- d) **Do not misuse the mains lead by carrying the tool by the lead, hanging it from the lead or by pulling on the lead to remove the plug. Keep the lead away from heat, oil, sharp edges or moving tool parts.** *Damaged or twisted leads increase the risk of an electric shock.*
- e) **If you work outdoors with a power tool, only use extension cables suitable for outdoor use.** *The use of an extension lead that is suitable for outdoors reduces the risk of an electric shock.*
- f) **If you cannot avoid using the tool in a damp environment, use a residual current operated circuit-breaker.** *Using a residual current operated circuit-breaker avoids the risk of electric shock.*

3. Safety of Persons

- a) **Be attentive. Pay attention to what you are doing and work sensibly with a power tool. Do not use the tool if you are tired or under the influence of drugs, alcohol or medication.** *Just a moment of inattentiveness while using the tool can lead to serious injuries.*
- b) **Wear personal safety equipment and always wear safety goggles.** *Wearing personal protective equipment, such as dust mask, non-slip safety shoes, safety helmet or ear protection, depending on the type of power tools, reduces the risk of injury.*

- c) **Avoid accidental starting-up. Ensure that the switch is in the "OFF" position before inserting the plug into the socket.** *Accidents can occur if you carry the power tool while your finger is on the switch or if you connect the power tool to the power supply which it is on.*
- d) **Remove setting tools or wrenches before switching on the power tool.** *A tool or wrench that is in a rotating tool part can lead to injuries.*
- e) **Avoid an unnatural posture.** *This ensures that you can control the tool better in unexpected situations.*
- f) **Wear suitable clothing. Do not wear wide clothing or jewellery. Keep your hair, clothes and gloves away from moving parts.** *Loose clothing, jewellery or long hair can be caught in moving parts.*
- g) **Do not lull yourself into a false sense of security and do not think yourself above the safety rules for electric tools, even if you are familiar with the electric tool following extensive practical experience.** *Careless use can lead to serious injuries in fractions of a second.*

4. Careful Handling and Use of Power Tools

- a) **Do not overload the tool. Use the power tool designed for the work that you are doing.** *You work better and safer in the specified performance range if you use the suitable power tool.*
- b) **Do not use power tools whose switch is defective.** *A power tool that cannot be switched on or off is dangerous and has to be repaired.*
- c) **Remove the plug from the socket before carrying out tool settings, changing accessories or putting the tool away.** *This precautionary measure prevents unintentional starting of the tool.*
- d) **Store unused power tools so that they are inaccessible to children. Do not let persons use the tool who are not familiar with it or who have not read these instructions.** *Power tools are dangerous when they are used by inexperienced persons.*
- e) **Take proper care of your tools. Check whether the moving parts function trouble-free and do not jam, whether parts are broken or damaged so that the tool function is impaired.** *Have damaged parts repaired before using the tool. Many accidents have their origin in power tools that have been maintained badly.*
- f) **Use the power tool, accessories, insert tools, etc. in accordance with these instructions and in a fashion specified for this special tool type. Take the working conditions and the activity to be carried out into consideration.** *The use of power tools for purposes other than the intended ones can lead to dangerous situations.*
- g) **Keep the handles and grip surfaces dry, clean and free of oil and grease.** *Slippery handles and grip surfaces hamper safe operation and control of the electric tool in unforeseen situations.*

5. Service

- a) **Have your tool repaired only by qualified specialist**

personnel and only with original spare parts. *This ensures that the tool safety is maintained.*

- b) If the supply cord is damaged, it must be replaced by the manufacturer or its service agent or a similarly qualified person in order to avoid a safety hazard.**

Safety instructions for colour application devices

1. Risks of Fire and Explosion

Combustible gases develop in the work area when spraying coating substances and due to the autonomous formation of coating substances and solvent vapors (danger zone).

Risk of fire and explosion due to ignition sources in this danger zone.

The electrically operated spray device contains potential ignition sources (spark formation when switching the motor on and off, when inserting and removing the power plug, due to potential static electricity at the spray gun)

-> **Device must not be used at operating sites that fall under the explosion protection ordinance.**

-> **Basic unit and mains connection must be located outside the danger zone.**

-> **Do not use combustible coating substances and cleaning agents -> observe product data sheets!**

-> **Always seal paint or solvent containers tightly in the vicinity of the device.**

-> **No ignition sources such as open fire, lit tobacco products, glowing wires, hot surfaces, sparks e.g. due to angle grinders etc. must be present.**

-> **When cleaning the device with solvent do not spray into a container with a small opening (bung hole).**

Danger due to formation of an explosive gas/air mixture.

The container into which you are spraying must be earthed.

2. Warning: Danger of injury!

Never point spray gun at yourself, other persons or animals.

3. Wear breathing equipment when spraying.

The user should be supplied with a breathing mask. In order to avoid occupational diseases, the working instructions provided by the manufacturer of the materials, solvents and cleaning agents used must be complied with during preparation, working with and cleaning the equipment.

Protective clothing, gloves and, if necessary, protective skin cream is required to protect the skin.

- 4. Warning: When working with the paint spraying system, both indoors and outdoors, care should be taken that no solvent vapours are driven to the motor-operated blower or that no solvent containing vapours form in the area around the paint spraying system. Place the motor-operated blower on the opposite side to the object to be sprayed. When working outdoors take wind direction into account. When working in closed places a sufficient ventilation must be ensured to remove the solvent vapours. The distance from the motor – operated blower to the object to be sprayed must be at least 3 m.**

- 5. Warning: The device is not splash proof. It should not be used, neither outdoors in the rain nor be sprayed with water nor immersed in liquid. Do not use the device in damp or wet environments.**

6. The units may only be used with a functional valve. If paints rises in the ventilating hose (Fig. 1, item 4) do not operate the unit further! Dismantle and clean the ventilating hose, valve and diaphragm and replace the diaphragm if necessary (see section13.2).

7. Do not lay the filled spray gun down.

8. Extraction systems should be installed on-site according to the local regulations.

9. The object to be coated must be earthed.

10. Caution against dangers that can arise from the sprayed substance and observe the text and information on the containers or the specifications given by the substance manufacturer.

11. Do not spray any liquid of unknown hazard potential.

12. Before dismantling the spray attachment, relieve pressure by opening the container.

- 13. Before working on the device, remove the power plug from the socket.**

14. Work or repairs on the electrical equipment should only be carried out by a professional electrician, even if there are instructions regarding such work in the operating instructions. No liability will be accepted for improper installation.

15. Do not sit or stand on the device. Danger of tilting/breaking!

16. Only use parts approved by the manufacturer. The users bear all risks and liability for using parts that do not meet the minimum technical requirements.

2 EXPLANATORY DIAGRAM (FIG. 1)

POS.	DESIGNATION	POS.	DESIGNATION
1	Spray attachment complete	15	ON/OFF switch (I = ON, 0 = OFF)
2	Spray jet width adjustment	16	Air filter indicator (lights up red if the air filter is blocked)
3	Air cap (to set the working direction)	17	Air hose connection
4	Ventilating hose	18	Storage compartment for small parts / accessories
5	Valve	19	Gun mounting
6	Container seal	20	Clamp for securing the coiled power cable
7	Suction tube	21	Power cable
8	Container	22	Air filter cover (left and right)
9	Trigger (actuates turbine starting switch → material is conveyed)	23	Fastening strap for binding the rolled-up air hose together
10	Material volume regulation	24	Fine feed tube filter (red) Coarse feed tube filter (white)
11	Air volume control	25	Cleaning brushes (4 pcs.)
12	Air hose		
13	Gun handle		
14	Carry handle		

3 THE WAGNER CLICK&PAINT SYSTEM

With the Wagner Click&Paint System, the front part of the gun (spray attachment) can be replaced quickly and easily. This enables a rapid material change without cleaning, and ensures that the right tool is available for every material and application.

The following spray attachments are available:

Spray attachment	Area of application
StandardSpray (yellow) Order No. 2430386	Spray attachment with slit nozzle and 1000 ml aluminium container. Processes all standard paints.
FineSpray (brown) Order No. 2430385	Spray attachment with round nozzle and 1000 ml aluminium container. Ideal for low-viscosity paints and glazes.
WallSpray (white) Order No. 2430387	Dispersion spray attachment with slit nozzle and 1400 ml plastic container. Designed for processing dispersions.

3.1 DISASSEMBLY OF THE SPRAY GUN

For assembly, insert the spray attachment into the gun handle so that the two arrows point at each other. Turn the gun handle 90° in the arrow direction until it audibly engages. (Fig. 2)

To remove the spray attachment, push the catch (Fig. 2, A) beneath the trigger down and turn the spray attachment by 90°.

4 TECHNICAL DATA

Voltage:	230 V~, 50 Hz
Power consumption:	1150 W
Max. current consumption	5 A
Container volume:	1000 ml
Air hose:	5 m
Power cable:	4 m
Protection class:	II /
Sound pressure level:* Uncertainty K:	80 dB (A) 3 dB (A)
Sound pressure output:* Uncertainty K:	91 dB (A) 3 dB (A)
Oscillation level: Uncertainty K:	<2.5 m/s ² 1.5 m/s ²
Weight (motor-operated blower, air hose and spray gun):	6.6 kg

* The acoustic emission value was ascertained in accordance with EN 62841-1

5 INTRODUCTION TO SPRAYING USING THE XVLP PROCEDURE

XVLP (Extra Volume Low Pressure) is a low pressure spraying technique, which works with a high volume of air and a low air pressure. The greatest advantage of this spraying technique is the low paint mist formation. This reduces the amount required to cover the object to a minimum.

As opposed to conventional application of coatings, this method achieves a highly economical and perfect surface quality and is, at the same time, environmentally friendly.

Function description

The paint spraying system consists of a motor-operated turbo-blower, which provides the spray gun with atomisation air through an air hose.

In the spray gun, a part of the atomisation air is used to pressurise the container. This pressure causes the coating material to be fed through the uptake pipe to the nozzle where it is atomised by the rest of the atomisation air.

All settings necessary for operation (e.g. material volume) can be conveniently made, directly on the gun.

6 COATING MATERIAL

6.1 COATING MATERIALS SUITABLE FOR USE

Solvent-based and water-soluble lacquer paints
Mordants, glazes, impregnations, oils, clear varnishes, synthetic enamels, coloured paints, alkyd resin varnishes, primers, radiator paints, hammer effect enamels, anti-rust paints, special-effect paints, textured paints

6.2 COATING MATERIALS NOT SUITABLE FOR USE

Materials that contain highly abrasive components, facade paint, caustic solutions and acidic coating substances.
Flammable materials.

6.3 COATING MATERIALS THAT CAN ONLY BE PROCESSED WITH RELEVANT SPRAY ATTACHMENT (ACCESSORIES)

Interior wall paint (dispersions and latex paint)

6.4 PREPARING THE COATING MATERIAL

	Observe the manufacturer's instructions for the use of the coating material on the paint tin or on the technical instruction sheet.
--	---

Coating material purity:

An absolute pre-condition for the trouble-free operation of the fine-spray system is that the coating material is uncontaminated. If you have doubts as to the purity of the coating material, we recommend that you first filter it through a fine sieve.

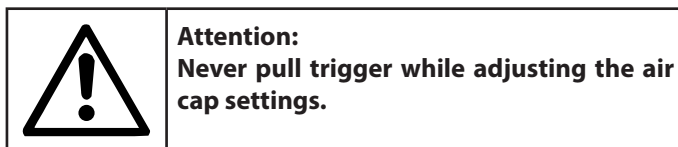
Processing the coating material with the StandardSpray spray attachment (yellow)

Coating Material	Processing	Comments
Solvent-based lacquer paints	observe manufacturer's instructions	
Water-soluble lacquer paints	observe manufacturer's instructions	
Mordants, glazes, impregnations, oils	undiluted	FineSpray spray attachment (brown) recommended
Clear varnishes, synthetic enamels, coloured paints, alkyd resin varnishes	observe manufacturer's instructions	
Primers, radiator paints, hammer effect enamels	observe manufacturer's instructions	

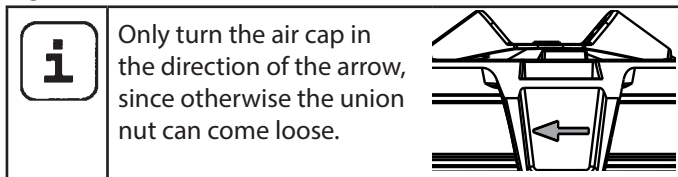
Anti-rust paints, special-effect paints	observe manufacturer's instructions	
Multicolor paints, textured paints	observe manufacturer's instructions	WallSpray spray attachment (white) recommended

7 SETTING THE SPRAY GUN

7.1 SETTING THE REQUIRED SPRAY PATTERN



2 different spray jet shapes can be set by turning the air cap (fig. 3, 1)



A horizontal flat jet → for vertical surfaces

B vertical flat jet → for horizontal surfaces

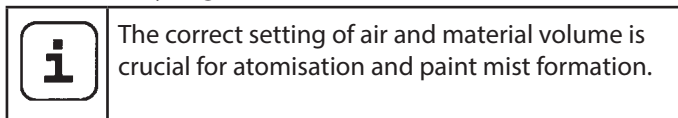
The controller (Fig. 4, 1) also allows the user to switch between a wide (▷) and narrow (▷) spray jet.

7.2 SETTING THE AMOUNT OF MATERIAL (FIG. 5)

The material volume can be adjusted incrementally from 1 (minimum) to 12 (maximum) by turning the material volume control (Fig. 5, 1).

7.3 SETTING THE AMOUNT OF AIR (FIG. 6)

Turn the air volume control (Fig. 6, 1) clockwise to increase the air volume or anti-clockwise to reduce the air volume (note arrow on body of gun).



7.4 ALIGN THE FEED TUBE

If the feed tube is positioned correctly, the container contents can be sprayed without almost any residue.

When working on lying objects:

Turn the feed tube forwards. (Fig. 7 A)

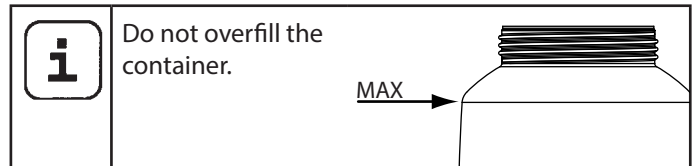
Spraying work when working on overhead objects:

Turn the feed tube rearwards. (Fig. 7 B)

8 STARTING OPERATION

Before connecting to the mains supply make sure that the mains voltage corresponds to the operating voltage on the rating plate. The unit must be connected with a properly earthed shockproof socket.

1. Squeeze the side clips together and insert the air hose onto the basic unit. (Fig. 8)
2. Unscrew the container from the spray attachment.
3. Pour in the prepared coating material.



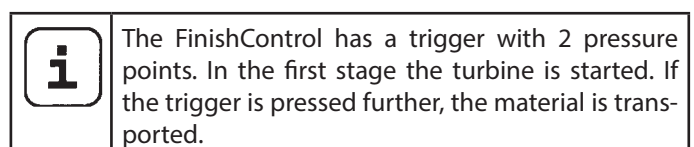
4. Fit the appropriate filter to the feed tube depending on the coating material used (Fig. 9, 1)

Low-viscosity coating materials → Fine filter (red)

Viscous coating materials → Coarse filter (white)

5. Screw the container firmly onto the spray attachment.
6. Connect spray attachment and gun handle. (Fig. 2)
7. Plug in the power cable.
8. Switch on the main switch at the device.
The device is now ready for operation.

9 SPRAYING TECHNIQUE



Operate trigger on the spray gun.

Test spray a piece of cardboard to ensure correct setting of the spray pattern, spray jet width, material and air volume.

Hold the paint spray gun upright and maintain a constant distance of about 3 - 10 cm to the object being sprayed. (Fig. 10)

Move the paint spray gun evenly either from side to side or up and down. If the gun is moved evenly, it will produce an even surface finish.

Always start spraying away from the object and avoid stop-ping spraying whilst still on the object.

In case of excessive paint mist formation, adjust the air and material flow respectively and alter the distance from the object.

10 BREAKS IN WORK

1. Switch device off with main switch on the basic unit.
2. Insert spray gun into gun mounting on the device.

	<p>In using quick-drying or two-component coating materials, do not fail to rinse unit through with a suitable cleaning agent during the processing period.</p> <p>Important: The application life of the material can change as a result of heating. Therefore, please consult the material manufacturer.</p>
--	--

11 TRANSPORTATION

1. Coil power cable around the basic unit.
2. Insert spray gun into gun mounting on the device.
3. Disconnect air hose by pressing the two side clips (Fig. 8).
4. Roll up the air hose and tie it up with the fastening strap.

12 TAKING OUT OF OPERATION AND CLEANING

1. Turn the machine off.
2. Divide the spray gun. Press catch (Fig. 2, A) down slightly. Twist spray attachment and gun handle towards each other.

	<p>ATTENTION! Electrical contacts in gun handle. Never hold the gun handle under water or immerse it into liquids. Clean the housing only with a moistened cloth.</p>
--	--

3. Unscrew the container.
Empty the remaining coating material into the original container.
4. Unscrew feed tube with container seal. (Fig. 11)

	<p>The enclosed brush set can be used for particularly effective cleaning of the spray attachment (examples Fig. 12 and 14).</p>
--	--

5. Clean feed tube and suction nozzle in spray attachment with cleaning brush. (Fig. 12)
6. Clean the ventilating bore. (Fig. 9, 2)

	<p>CAUTION! Never clean seals, diaphragm and nozzle or air holes of the spray gun with metal objects. The ventilation hose and diaphragm are only solvent-resistant to a limited extent. Do not immerse in solvent, only wipe.</p>
--	---

7. Move the air cap (Fig. 13, 1) to the vertical position for easier removal and lift it off.
8. Unscrew the union nut (fig. 13, 2).

9. Clean the air cap (fig. 14, 1) and nozzle (3) with a brush and solvent or water.

	<p>Take special care when cleaning the interstices on the needle (Fig. 14, 5)</p>
--	---

10. Clean the outside of the spray gun and container with a cloth soaked in solvent or water. Use the all-purpose brush for the thread (Fig. 14, 6).
11. Assemble the parts again (see "Assembly").

12.1 ASSEMBLY

	<p>ATTENTION! Follow the steps described below exactly for assembly. Otherwise the spray attachment may be damaged.</p>
--	--

1. Push nozzle seal onto the needle so that the groove (slot) points away from the spray attachment. (Fig. 15)
2. Screw the union nut (Fig. 16, 2) onto the gun and tighten it.
3. Engage the air cap (Fig. 17, 1) with the union nut. Check if the air cap has properly locked into place on both sides.
4. Place the container seal from below on the feed tube and slide it over the collar, while turning the container seal slightly.
5. Screw the feed tube with the container seal into the body of the gun.

	<p>In order to mount the gun more easily apply lubricating grease (enclosed) liberally to the O-ring at the spray attachment and to the O-ring of the plug connection of the air hose (Fig. 18).</p>
--	--

13 MAINTENANCE

13.1 AIR FILTER

	<p>Attention! Never operate the device with the air filter soiled or missing, as dirt could be sucked up and affect the operation of the device. The air filter indicator lights up red if the air filter needs to be changed.</p>
--	---

1. Unplug the power plug.
2. Open the cover on the air filter compartment (left and right) (Fig. 19).
3. Depending on the degree of soiling, clean (blow out) the air filter (Fig. 19, 1) or replace it.

13.2 AIR RELIEF VALVE



If paint has entered the ventilation hose, proceed as follows:

1. Pull the ventilating hose (Fig. 20, 1) at the top from the gun body. Screw off the valve cover (2). Remove the diaphragm (3). Clean all the parts carefully.



CAUTION! The ventilation hose and diaphragm are only solvent-resistant to a limited extent. Do not immerse in solvent, only wipe.

2. Place the diaphragm in the valve cover with the pin facing forward (Also see the marking on the gun body).
3. Turn the body of the gun upside down and screw on the valve cover from underneath.
4. Place the ventilating hose on the valve cover and on the nipple at the gun body.

Warning

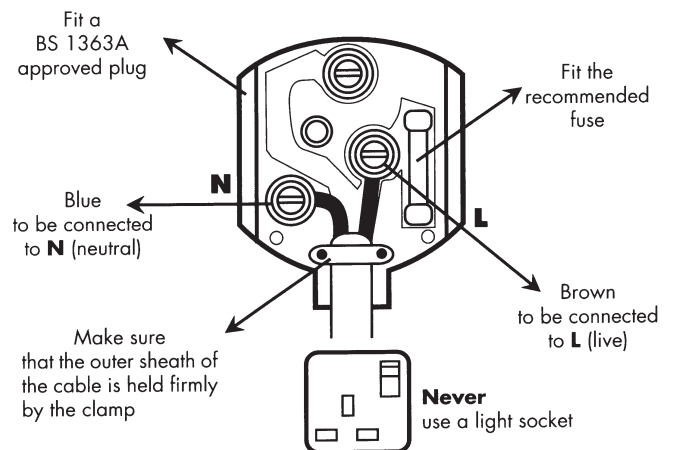
If the supply cord of this appliance is damaged, it must only be replaced by a repair shop appointed by the manufacturer, because special purpose tools are required.

Warning: Do not connect the blue or brown wire to the earth terminal of the plug! The wires in this mains lead are coloured in accordance with the following code:

blue = neutral **brown** = live

As the colours of the wires in the mains lead of this appliance may not correspond with the coloured markings identifying the terminals in your plug, proceed as follows:

- ◆ Should the moulded plug have to be replaced, never re-use the defective plug or attempt to plug it into a different 13 A socket. This could result in an electric shock.
- ◆ Should it be necessary to exchange the fuse in the plug only use fuses approved by ASTA in accordance with BS 1362. 5 Amp fuses may be used.
- ◆ To ensure that the fuse and fuse carrier are correctly mounted please observe the provided markings or colour coding in the plug.
- ◆ After changing the fuse, always make sure that the fuse carrier is correctly inserted. Without the fuse carrier, it is not permissible to use the plug.
- ◆ The correct fuses and fuse carriers are available from your local electrical supplies stockist.



14 CORRECTION OF MALFUNCTIONS

MALFUNCTION	CAUSE	REMEDY
The unit will not start	<ul style="list-style-type: none"> • No mains voltage • Device overheated 	<ul style="list-style-type: none"> • Check • Unplug the power plug, let the device cool down approx. 30 minutes, do not bend the hose, check the air filter, do not cover the intake slots
No coating material emerges from the nozzle	<ul style="list-style-type: none"> • Nozzle clogged • Material volume setting too low • Paint container seal damaged • No pressure build-up in container • Container empty • Ventilation hose loose/damaged • Feed tube loose • Feed tube / feed tube filter clogged • Air vent on feed tube blocked • Diaphragm stuck 	<ul style="list-style-type: none"> • Clean • Increase volume • Replace • Tighten container • Refill • Insert or replace • Insert • Clean or use another filter • Clean • Remove and clean (see section 13.2)
Coating material drips from the nozzle	<ul style="list-style-type: none"> • Air cap, nozzle or needle soiled • Spray attachment incorrectly assembled • Nozzle loose • Nozzle worn • Needle worn or damaged 	<ul style="list-style-type: none"> • Clean • Assemble correctly (see section 12.1) • Tighten Union nut • Change • Replace the needle (service set 2434517)
Atomisation too coarse	<ul style="list-style-type: none"> • Material volume too large • Nozzle contaminated • Viscosity of coating material too high • Too little pressure build-up in container • Air filter heavily soiled • Amount of air too low • Air hose damaged • Air cap assembled incorrectly 	<ul style="list-style-type: none"> • Reduce volume • Clean • Dilute further • Tighten container • Change (see section 13.1) • Increase volume • Check and replace if necessary • Snap air cap properly into place (fig. 17)
Spray jet pulsates	<ul style="list-style-type: none"> • Coating material in container running out • Nozzle seal worn • Air filter heavily soiled • Feed tube loose • Feed tube / feed tube filter clogged 	<ul style="list-style-type: none"> • Refill • Replace • Change (see section 13.1) • Insert • Clean or use another filter
Coating material causes "paint tears"	<ul style="list-style-type: none"> • Too much coating material applied • Distance too small • Incorrect spray attachment 	<ul style="list-style-type: none"> • Reduce volume • Increase distance • Use another spray attachment
Excessive paint mist (overspray)	<ul style="list-style-type: none"> • Distance to the object too large • Too much coating material applied • Amount of air too high • Coating substance over-diluted • Incorrect spray attachment 	<ul style="list-style-type: none"> • Reduce distance • Reduce volume • Reduce volume • Reduce degree of dilution • Use another spray attachment
Paint in the ventilating hose	<ul style="list-style-type: none"> • Diaphragm soiled • Diaphragm defective 	<ul style="list-style-type: none"> • Clean the diaphragm (see section 13.2) • Replace the diaphragm (see section 13.2)

15 ACCESSORIES AND SPARE PARTS

15.1 ACCESSORIES

POS.	ORDER NO.	DESIGNATION
1	2430386	StandardSpray spray attachment (yellow) (with 1000 ml container) Processes all standard paints.
2	2430385	FineSpray spray attachment (brown) (with 1000 ml container) Ideal for low-viscosity paints and glazes.
3	2430387	WallSpray spray attachment (white) (with 1400 ml container) Designed for processing dispersions.
4	2324 749	Container (1400 ml)
5	2350 692	Can Adapter With the Can Adapter, paint cans can be attached directly to a Click&Paint spray attachment. Suitable for: commercially available 750 ml paint tins (maximum dimensions $\varnothing=102$ mm, h=119 mm) and 1000 ml paint tins (maximum dimensions $\varnothing=112$ mm, h=132 mm).

15.2 SPARE PARTS FINISHCONTROL 5500 (FIG. 21)

POS.	ORDER NO.	DESIGNATION
1	2434503	Filter cover set
2	2434505	Air filter (4 pcs.)
3	2434506	Storage compartment cover
4	2442011	Gun handle with air hose
5	2430409	Cleaning brush set
6	2442012	Air hose fixing strap

15.3 SPARE PARTS STANDARDSPRAY SPRAY ATTACHMENT (YELLOW) (FIG. 22)

POS.	ORDER NO.	DESIGNATION
1	2430386	StandardSpray spray attachment (yellow) (with 1000 ml container)
2	2434514	Air cap (3 pcs.)
3	2323934	Seal
4	2434513	Spray head service set (StandardSpray)
5	2434517	Needle service set (4.1 mm)
6	2434516	Ventilating hose, valve cover, diaphragm
7	2434524	Suction system service set
8	2434523	Container seal (5 pcs.)
9	2324248	Fine feed tube filter (red, 5 pc.)
	2324249	Coarse feed tube filter (white, 5 pc.)
10	2434525	Container 1000 ml
	2315 539	Lubricating grease



TESTING OF THE UNIT

For safety reasons, we would recommend having the device checked by an expert as required but at least every 12 months to ensure that it can continue to operate safely.

In the case of unused devices, the check can be postponed until they are next started up.

All (potentially deviating) national inspection and maintenance regulations must also be observed.

If you have any questions, please contact the customer service team at Wagner.

IMPORTANT INFORMATION ON PRODUCT LIABILITY

An EU directive valid since 01.01.1990 specifies that the manufacturer is only liable for his products if all the parts originate from the manufacturer or are approved by him, and if the units are mounted and operated properly.

If accessories or spare parts from third parties are used, liability can be partially or completely inapplicable. In extreme cases the responsible authorities can prohibit the use of the entire unit (German industrial employer's liability insurance association and factory inspectorate).

With original WAGNER accessories and spare parts, compliance with all safety regulations is guaranteed.

NOTE ON DISPOSAL

In observance of the European Directive 2012/19/EU on waste electrical and electronic equipment and implementation in accordance with national law, this product is not to be disposed of together with household waste material but must be recycled in an environmentally friendly way!



Wagner or one of our dealers will take back your used Wagner waste electrical or electronic equipment and will dispose of it for you in an environmentally friendly way. Please ask your local Wagner service centre or dealer for details or contact us direct.

EU Declaration of conformity

We declare under sole responsibility that this product conforms to the following relevant stipulations:

2006/42/EC, 2014/30/EU, 2011/65/EU, 2012/19/EU

Applied harmonised norms:

EN 62841-1, EN 50580, EN IEC 55014-1, EN IEC 55014-2, EN IEC 61000-3-2, EN 61000-3-3, EN 62233

The EU declaration of conformity is enclosed with the product.

If required, it can be re-ordered using order number **2434454**.

3 + 2 YEAR GUARANTEE ON THIS WAGNER CONTRACTOR PRODUCT

(Status 03.03.2022)

WAGNER exclusively provides the commercial buyer who has purchased the product from an authorised specialist dealer (hereinafter referred to as the „Customer“) with a guarantee for the products listed on the Internet at <https://go.wagner-group.com/3plus2-info> in addition to the statutory warranty regulations, unless there is a guarantee exclusion.

The guarantee period for WAGNER products (devices) in the contractor's sector is 36 months and begins with the date of purchase of the initial purchase. This guarantee period is extended by a further 24 months if the product is registered within 28 days of purchase on the Internet at <https://go.wagner-group.com/3plus2>.

In cases of commercial rental, industrial use (e.g. use in shift operation) or equivalent use, the guarantee period is 12 months due to the significantly higher load. We reserve the right to carry out a check in individual cases and refuse the guarantee where necessary.

If any material, machining or performance defects are identified in the device within the guarantee period, then the guarantee claims must be made immediately and within a period of no more than 2 weeks following discovery of the defect.

The detailed guarantee conditions can be obtained on request from our authorised WAGNER partners (see website or operating instructions) or in text form on our website:

<https://go.wagner-group.com/pf-warranty-conditions>



Subject to modifications

UKCA Declaration of conformity

We declare under sole responsibility that this product conforms to the following relevant regulations:

Supply of Machinery (Safety) Regulations 2018

Electromagnetic Compatibility Regulations 2016

The Restriction of the Use of Certain Hazardous Substances in Electrical and Electronic Equipment Regulations 2012

The Waste Electrical and Electronic Equipment Regulations 2013

Applied harmonised standards

BS EN 62841-1, BS EN 50580, BS EN IEC 55014-1,

BS EN IEC 55014-2, BS EN 61000-3-2, BS EN 61000-3-3,

BS EN 62233

FinishControl 5500

WAGNER

- A** J. Wagner Ges.m.b.H.
Ottogasse 2/20
2333 Leopoldsdorf
Österreich
Tel. +43/ 2235 / 44 158
Telefax +43/ 2235 / 44 163
office@wagner-group.at
- B** WSB Finishing Equipment
Veilinglaan 56-58
1861 Meise-Wolvertem
Belgium
Tel. +32/2/269 46 75
Telefax +32/2/269 78 45
info@wagner-wsb.nl
- CH** Wagner International AG
Industriestrasse 22
9450 Altstätten
Schweiz
Tel. +41/71 / 7 57 22 11
Telefax +41/71 / 7 57 22 22
wagner@wagner-group.ch
- D** J. Wagner GmbH
Otto-Lilienthal-Straße 18
D-88677 Markdorf
Postfach 11 20
D-88669 Markdorf
Deutschland
Tel.: +49 / 75 44 / 505 -1664
Fax: +49 / 75 44 / 505 -1155
wagner@wagner-group.com
www.wagner-group.com
- AUS** Wagner Spraytech Australia Pty.
Ltd.
8 – 10 Dansu Court
Hallam, Victoria, 3803
Australia
Customer Service 1800 924 637
info@wagneraustralia.com.au
- DK** DVA A/S
Marielundvej 48 C
2730 Herlev
Denmark
Tel. +45 70 234 239
info@dva.dk
www.dva.dk
- E** Makimport Herramientas, S.L.
C/ Méjico nº 6
Pol. El Descubrimiento
28806 Alcalá de Henares (Madrid)
Tel. +34/902 199 021/
+34/91 879 72 00
Telefax +34/91 883 19 59
ventas@grupo-k.es
info@grupo-k.es
- F** J.Wagner France Sarl
Parc Work Center
8 Route des Bois, Bâtiment C
F-38500 Voiron - France
Tel. +33 (0)4 58 09 04 12
servicepf@wagner-group.com
- GB** UK IMPORTER
Wagner Spraytech (UK) Limited
Innovation Centre
Silverstone Park, Silverstone
Northants NN12 8GX
Great Britain
Tel. 01327 368410
enquiries@wagnerspraytech.co.uk
- RU** Импортёр:
ООО «ВинТех рус»
143960 МО, г. Реутов, улица
Железнодорожная, д. 11, кв./оф. V
Телефон: +7 (499) 705-11-31
Почта: hello@wagner.ru
Сайт: www.wagner.ru
- I** Wagner S.p.A.
23868 Valmadrera (Lc)
Via Santa Vecchia, 109
Italia
Tel./Fax 0341 210100 (centralino)
wagner_it_va@wagner-group.com
- NL** WSB Finishing Equipment BV
De Heldinnenlaan 200,
3543 MB Utrecht
Netherlands
Tel. +31/ 30/241 41 55
Telefax +31/ 30/241 17 87
info@wagner-wsb.nl
- S** Orkla House Care AB,
Tallvägen 6
564 23 Bankeryd,
Sweden
Tel. +46 36 376300
Info@orkla.se
- Изготовитель:
Дж. Вагнер Гмбх,
Отто-Лилентал, 18
Д-88677 Маркдорф, Германия
www.wagner-group.com

